

RSB-3410

NXP i.MX6 Cortex-A9 2.5英寸单板电脑



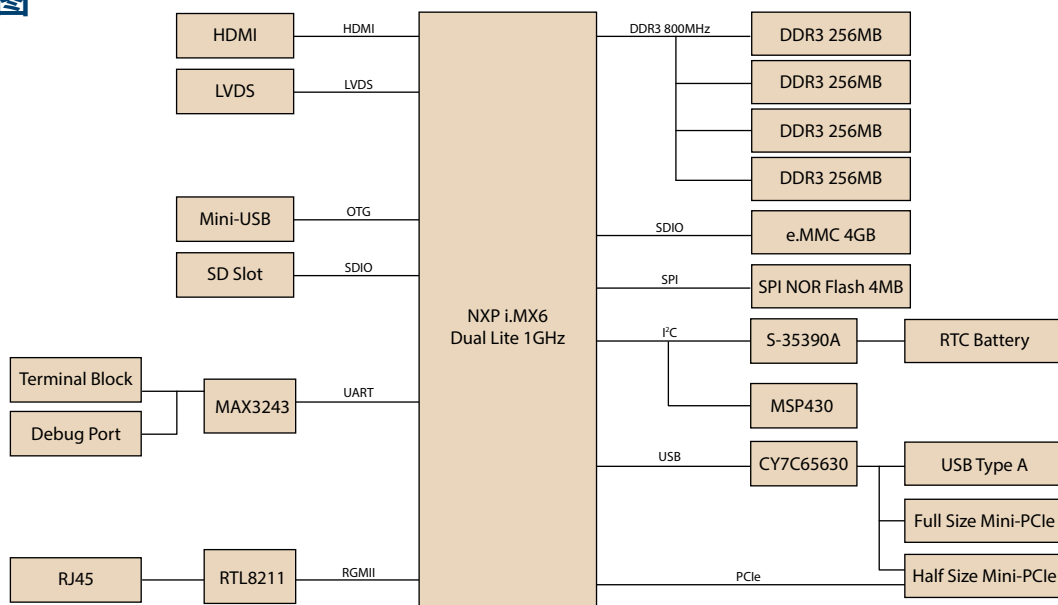
- 搭载NXP ARM®Cortex®-A9i.MX6 Dual Lite 1 GHz
- 支持板载DDR3 1 GB, 800 MHz内存
- 支持HDMI 1920x1080 (60Hz), 单通道18/24位LVDS
- 支持1个4线UART端口、1个USB 2.0接口和1个USB OTG接口
- 2个支持WIFI / 3G的mini-PCIe插槽
- 更低功耗, 无风扇设计
- 支持Linux和Android操作系统



规格

Form Factor		2.5" SBC
Processor System	CPU	NXP i.MX6 Cortex-A9 Dual Lite 1 GHz
Memory	Technology	DDR3 800 MHz
	Capacity	On-board DDR3 1 GB
	Flash	4 GB eMMC Flash for O.S. and 4 MB NOR Flash for Advantech boot loader
Graphics	HDMI	1 HDMI, 1920 x 1080 at 60Hz
	LVDS	Single Channel 18/24 bit LVDS
	Graphics Engine	1 IPU, OpenGL ES 2.0 for 3D, BitBlit for 2D and OpenVG 1.1
H/W Video Codec	Decoder	MPEG-4 ASP, H.264 HP, H.263, MPEG-2 MP, MJPEG BP
	Encoder	MPEG-4 SP, H.264 BP, H.263, MJPEG BP
Ethernet	Chipset	NXP i.MX6 integrated RGMII
	Speed	1 10/100/1000 Mbps
WatchDog Timer	WatchDog Timer	1~6553s, power on/off 4s
I/O	USB	1 USB 2.0 Host
	USB OTG	1 USB 2.0 OTG
	SDIO	1 SD Slot
	Serial Port	1 4-wire RS-232 (Tx, Rx, RTS, CTS)
Indicator	LED	1 Green LED for the system power
		1 Green LED (for user define)
Expansion	Full Size Mini PCIe	1
	Half Size Mini PCIe	1
	SD Socket	1
	SIM Slot	1
Power	Power Supply Voltage	+12 V
	Power Type	DC-in
	Power Consumption	4.4W (Max)
Environment	Operating Temperature	0 ~ 60 °C
	Operating Humidity	5%~95% Relative Humidity, non-condensing
Mechanical	Dimensions	100 x 72 x 19 mm
	Weight	210g
Operation System		Linux Ubuntu 14.04/16.04/18.04 /Debian 8 /Yocto 2.1/2.5 &Android 7.1
Certifications		CE/FCC Class B

架构图



订货信息

Part No.	CPU	Memory	Flash Memory	HDMI	VGA	LVDS	LAN	Serial Port	SATA	USB Host	System bus	SD	CANbus	Operating Temperature
RSB-3410DL-MDA1E	NXP i.MX6 Dual Lite 1 GHz	1 GB	4 GB	1	-	1	1	1 x 4 wire RS-232	-	1 USB2.0 1 OTG	-	1	-	0 - 60 °C

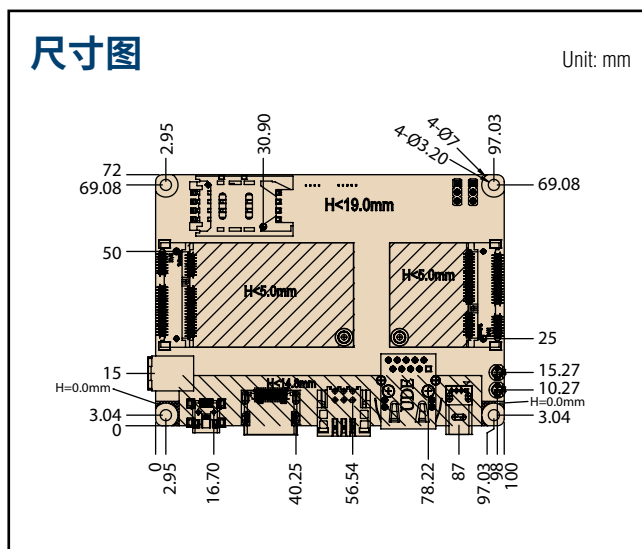
装箱单

Part Number	Description
9696341000E	RSB-3410 2.5" SBC
1652006794-01	Terminal Block 6 Pin

可选配件

Part Number	Description
96PSA-A36W12R1	ADAPTER 100-240V 36W 12V 3A
SQF-ISDS1-2G-86E	SQFlash SD card SLC 2G, 1CH (-40 ~ 85 °C)
EWM-W142F01E	802.11 b/g/n, AR9287, 2T2R, Full size Mini PCIe
EWM-W151H01E	Advantech 802.11bgn RTL8188EE 1T1R, 1-connector
EWM-C106FT02E	HSPA/WCDMA/GPRS Cellular module
1750006043	Cable R/P SMA (M) to MHF 1.32 150mm (Wi-Fi Cable)
1750000318	EMI Antenna 2DBI 2.4GHz SMA CONN for ARK-3384 (Wi-Fi Antenna)
1750006264	Antenna SMA(F)/MHF 15cm SMALFN8-3150A-00X00R (3G Cable)
1750005865	Antenna L 10.9cm 500hm AN8921F-5701SM (3G Antenna)
1700001524	Power Cord 3P UL 10A 125V 180cm
170203183C	Power Cord 3P Europe (WS-010+WS-083)183cm
170203180A	Power Cord 3P UK 2.5A/3A 250V 1.83m
1700008921	Power Cord 3P PSE 183cm

尺寸图



I/O 视图

