

# RSB-3710

Rockchip RK3399 Cortex-A72  
2.5英寸单板电脑



- 搭载Rockchip Arm®Cortex®-A72RK3399 (高达1.8GHz) 板载LPDDR4 2 GB内存
- 1 HDMI, 1 双通道24位LVDS或 or 1eDP
- 2 2-wire RS-232, 1 USB3.0, 4 USB2.0, 1 Micro SD, 1 Mic. in / Line out
- 1 mini-PCIe for LTE/WiFi/BT
- 支持Debian9/10和Android7.1/10.0系统
- 支持 UIO40-Express I/O扩展板



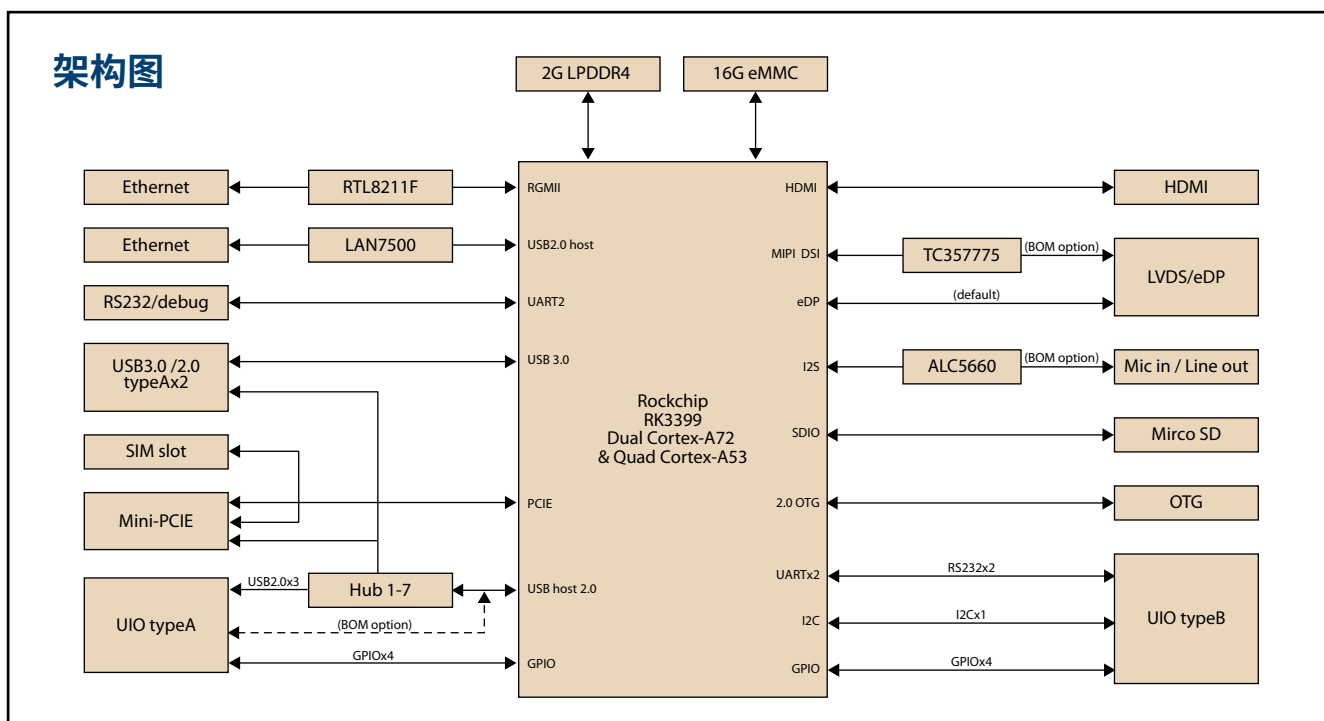
## 产品介绍

RSB-3710 2.5“单板计算机(SBC),由高性能瑞芯微RK3399 Arm双Cortex-A72和4 Cortex - A53高性能处理器驱动,支持4K HDMI显示。它具有丰富显示接口如HDMI/LVDS/eDP,和多接口如双GbE/2serial /2USB/12GPIO。RSB-3710还具有Mini Pcle,集成Wi-fi, 蓝牙和3G/4G模块的SIM卡。这是医疗、安全、物联网网关和自动售货机应用的理想解决方案。

## 规格

Form Factor		2.5" SBC with UIO40-Express for I/O Expansions
Processor System	CPU	Rockchip RK3399 ARM dual Cortex-A72 and quad Cortex-A53 1.8 GHz
Memory	Technology	LPDDR4 1333MHz
	Capacity	On-board 2 GB
	Flash	16GB of eMMC NAND Flash for OS and Advantech's boot loader
NPU	NPU	-
Graphics	HDMI	1 HDMI 2.0, upto 4kx2k at 60Hz
	LVDS	1 Dual Channel 18/24 Bit LVDS (Shared with eDP, by BOM Option), Backlight power, 5/12V, Max. 1A, upto 1920x1080@60Hz
	eDP	1, max 2.7Gbps /Reused with LVDS but default as eDP, upto 1920x1080@60Hz
	Graphics Engine	OpenGL ES 1.1/2.0/3.1, OpenCL 1.1, DirectX 11
	H/W Video Codec	Decoder: MPEG-1, MPEG-2, MPEG-4, H.263, H.264, AVS, VC-1, VP8, MVC, HEVC/H.265 decoder, 4k@60FPS Encoder: H.264 (BP@level4.0, MP, HP@level4.0), MVC and VP8
Ethernet	Chipset	RTL8211FS
	Speed	2 10/100/1000 Mbps
WatchDog Timer	WatchDog Timer	Yes
I/O	USB	1 USB3.0+1 USB2.0, by TypeA
	Audio	1 Mic. in / Line out by pin header (option)
	CAN	-
	Serial Port	1 2 wires RS-232 by COM2 pin header (default configured as debug console)
	Camera Input	-
	UIO40-Express	3 USB2.0, 2 UART, 1 I2C, 12 GPIOs
Indicator	LED	1 Power LED 1 Programmable LED
	Expansion	Mini PCIe M.2 SD Socket SIM Slot
Power	Power Supply Voltage	+12 V
	Power Type	Lockable DC-Jack (2pin type connector by BOM option)
	Power Consumption	11.5W
Environment	Operating Temperature	0 ~ 60 °C / -20 ~ 85 °C
	Operating Humidity	5%~95% Relative humidity, non-condensing
Mechanical	Dimensions	100 x 72 x 19 mm
	Weight	0.05kg
Operation System		Debian9/10 and Android7.1/10.0
Certifications		CE/FCC Class B

### 架构图



### 订货信息

Part No.	CPU	Memory	Flash Memory	HDMI	eDP	LVDS	LAN	USB Host	SD	CANbus	Operating Temperature
RSB-3710C0-XNA1E	RK3399	2 GB	16 GB	1	1	-	2	2	1	-	0 ~ 60 °C
RSB-3710W0-XNA1E	RK3399K	2 GB	16GB	1	1	-	2	2	1	-	-20 ~ 85 °C
RSB-3710C0-XDA1E	RK3399	2GB	16GB	1	-	1	2	2	1	-	0 ~ 60 °C
RSB-3710W0-XDA1E	RK3399K	2GB	16GB	1	-	1	2	2	1	-	-20 ~ 85 °C

### 装箱单

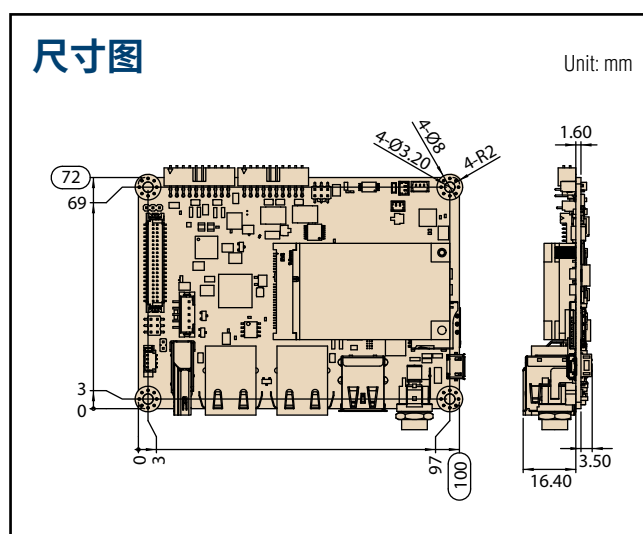
Part Number	Description
RSB-3710	RSB-3710 2.5" SBC with Heat Sink

### 可选配件

Part Number	Description
96PSA-A36W12R1-3	ADP A/D 100-240V 36W 12V C6 DC PLUG 90° 62368
96PSA-A36W12W7-5	ADP A/D 100-240V 36W 12V C6 LOCK DC JACK 62368
1700030307-01	UIO40 extending cable of UIO SBC, 3COM&8GPIO
1700031429-01	Line out cable
1700026878-01	Mic. in cable
170203183C	Power cord 3P EU 183cm
1700008921	Power Cord 3P PSE 183cm
170203180A	Power cord 3P UK 183cm
1700001524	Power Cord UL 3P 10A 125V 183cm
1700019146	Power Cord CCC 3P 10A 250V 183cm
1700026611-01	Debug cable
1750007965-01	Antenna Cable R/P SMA (M) to MHF4, 300mm
1750008717-01	WiFi Dual band 2.4G and 5G Antenna
EWM-W159M201E*	IEEE 802.11a/b/g/n/ac 2T2R and BT 5.0 Module (M.2 2230)
EXM-CMPF1-M2E01E	M.2(NGFF) to MiniPCle KEY-E Adapter
968AD00479*	4G module LTE Cat 4 for China
1750006009	Antenna Cable SMA (F) to MHF 1.32 25cm
1750008303-01	Antenna AN0727-64SP6BSM
SQF-MSDM1-8G-21C	SQF MICRO SD C10 MLC 8G (-25 ~ 85 °C)
IDK-1107WR-40WVA1E	7" LED PANEL 400N with 4WR touch, 800x480(G)
1700031071-01	LVDS cable for IDK-1107WR

\*EWM-W159M201E should be used with M.2(NGFF) to MiniPCle KEY-E adapter(EXM-CMPF1-M2E01E)  
 \* Please contact us to get suitable cellular module for your region.

### 尺寸图



### Front I/O on RSB-3710

