

# RSB-4710

Rockchip ARM Cortex-A72 RK3399  
3.5英寸单板电脑



- 瑞芯微RK3399Arm Dual Cortex-A72和Quad Cortex-A53 达 1.8 GHz
- 板载2/4GB LPDDR4 存储和16/32GB eMMC
- 双HDMI(4K 60fps + 1080P), 1 x eDP, 1 x 双通道LVDS, 1 x MIPI CSI
- 支持4K H.264/H.265视频解码
- 6 x serial, 1 x USB3.0, 4 x USB2.0 ,1 x USB OTG, 2 x GbE, 1 x SPI, 1 x I2C, 5 x GPIOs
- M.2支持WIFI/BT, mini-PCIe支持3G/4G
- 支持Debian9/10 and Android7.1/10.0操作系统



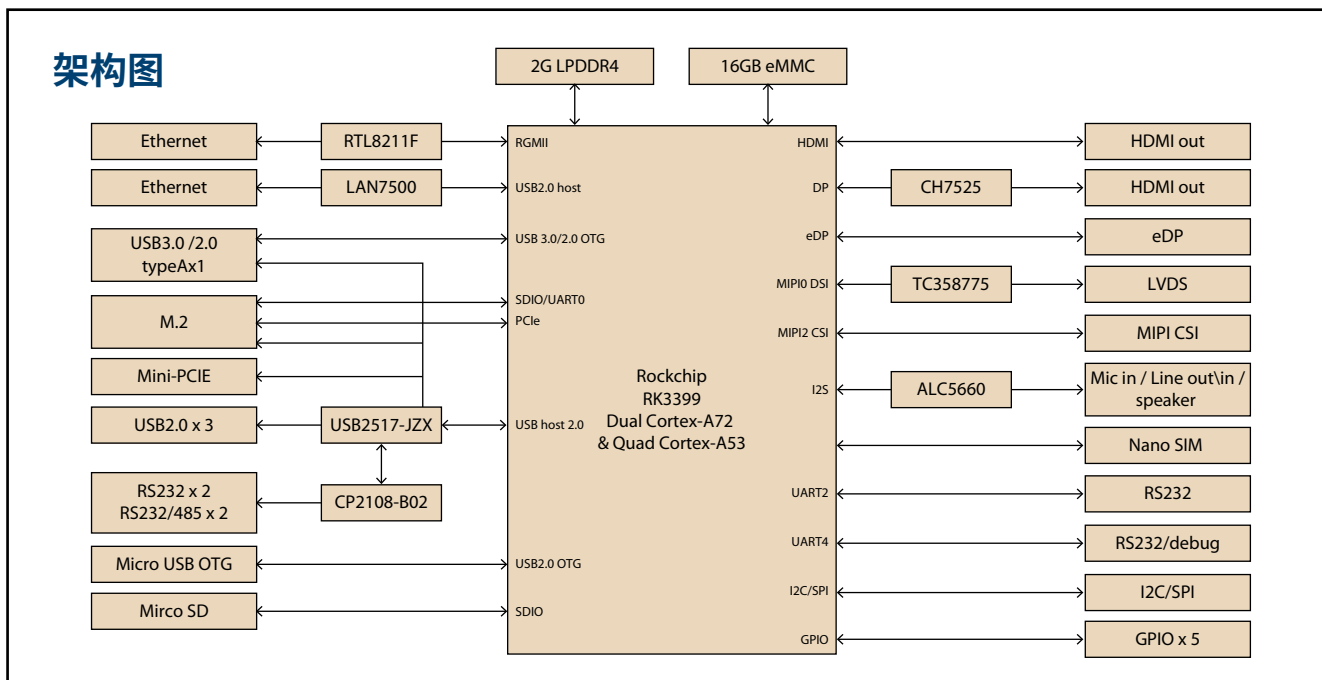
## 产品介绍

RSB-4710是一款RISC 3.5英寸单板计算机(SBC),由高性能瑞芯微RK3399 ARM双Cortex-A72和四Cortex-A53高性能处理器驱动。它支持HDMI的4K显示,提供双HDMI/LVDS/eDP的多显示器和双GbE/6 x串行/6 x USB/5 x GPIO的多接口。RSB-4710还具有Mini-PCIe卡、M.2卡和SIM卡插槽,支持Wi-Fi、蓝牙和3G/4G模块集成。它是自助设备,POS和自动售货机应用的理想解决方案。

## 规格

Form Factor		3.5" SBC	
Processor	CPU	Rockchip RK3399 ARM dual Cortex-A72 and quad Cortex-A53 1.8 GHz	
Memory	Technology	LPDDR4 1333MHz	
	Capacity	On-board LPDDR4 2GB	
	Flash	16GB of eMMC NAND Flash for OS and Advantech's boot loader	
Graphics	LVDS	1 x 18/24-bit LVDS with 1920 x 1200 for dual channels at 60Hz	
	HDMI	2, upto 3840x2160@60Hz	
	eDP	1, max 2.7Gbps, upto 1920x1080@60Hz	
	Graphics Engine	OpenGL ES 1.1/2.0/3.1, OpenCL 1.1, DirectX 11	
	H/W Video Codec	Decoder: MPEG-1, MPEG-2, MPEG-4, H.263, H.264, AVS, VC-1, VP8, MVC, HEVC/H.265 decoder, 4k@60FPS Encoder: H.264 (BP@level4.0, MP, HP@level4.0), MVC and VP8	
Ethernet	Chipset	RTL8211FSI	
	Speed	2 x 10/100/1000 Mbps	
WatchDog Timer		Yes	
I/O	SATA	-	
	SATA Power	-	
	USB	1 x USB OTG, 1 x USB3.0 & 1 x USB2.0 by TypeA, 3 x USB2.0 by pinheaders	
	Audio	1 x Line out, 1 x Mic-in, 1 x line in, 1 x Speaker (2.8W 4Ω or 1.5W 8Ω) out via a pin header	
	SPDIF	-	
	SDIO	-	
	Serial Port		1 RS232 w/wire, by DB9
			1 RS232 w/Wire, by pin header, reused as debug port by jumper
			2 RS232 by pin headers
			2 RS232/485 by pin headers
		SPI	1, can be config to GPIO by SW
		CAN	-
		GPIO	5 x GPIO via pin header (3.3V TTL level)
	I <sup>2</sup> C	1, can be config to GPIO by SW	
System Bus	-		
Touch	-		
MIPI CSI	1		
Button	1 x reset button, 1 x power button via a pin header		
Expansion	Mini PCIe	1 x Mini PCIe slot, w/USB	
	SD Socket	1 x Micro SD slot	
	SIM Slot	1 x SIM slot	
	M.2 Socket	1 x M.2 2230 Key E slot, w/SIO*UART*PCIe*USB	
Power	Power Supply Voltage	12 V	
	Power Type	DC-in	
	Power Consumption	Boost 15W@12V	
Environment	Operating Temperature	0 ~ 60 °C/-20 ~ 85 °C	
	Operating Humidity	5 ~ 95% relative humidity, non-condensing	
Mechanical	Dimensions (W x D)	146 x 102 mm	
Operation System		Supports Debian9/10 and Android7.1/10.0	
Certifications		CE/FCC Class B	

### 架构图



### 订货信息

Part Number	CPU	Memory	Flash	HDMI	eDP	LVDS	LAN	Serial Port	SATA	USB	System Bus	SD	CAN Bus	Operating Temperature
RSB-4710CO-XNA1E	Rockchip RK3399	2GB	16GB	2	1	1	2	6	-	6	-	1	-	0 ~ 60 °C
RSB-4710WO-XNA1E	Rockchip RK3399K	2GB	16GB	2	1	1	2	6	-	6	-	1	-	-20 ~ 85 °C
RSB-4710CO-XLA1E	Rockchip RK3399	2GB	16GB	1	1	-	1	2	-	6	-	1	-	0 ~ 60 °C
RSB-4710WO-XLA1E	Rockchip RK3399K	2GB	16GB	1	1	-	1	2	-	6	-	1	-	-20 ~ 85 °C
RSB-4710CO-ANA1E	Rockchip RK3399	4GB	32GB	2	1	1	2	6	-	6	-	1	-	0 ~ 60 °C

### 装箱单

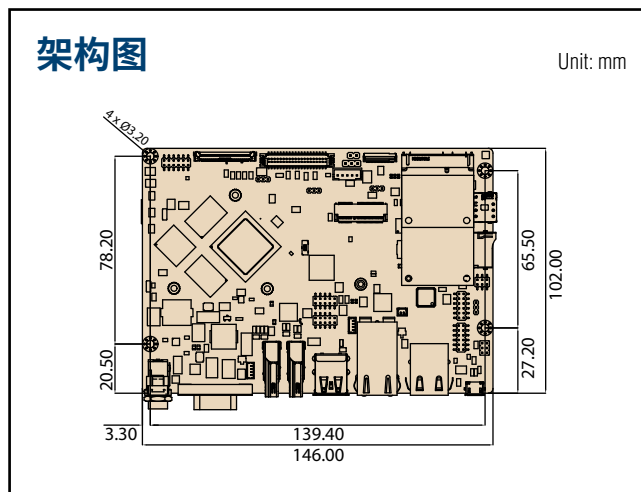
Part Number	Description
RSB-4710	RSB-4710 3.5" SBC with heatsink (PN 1970004538T011)

### 可选配件

Part Number	Description
96PSA-A36W12W7-5	ADP A/D 100-240V 36W 12V C6 LOCK DC JACK 62368
170203183C	Power cord 3P EU 183cm
170203180A	Power cord 3P UK 183cm
1700001524	Power Cord UL 3P 10A 125V 183cm
1700008921	Power Cord 3P PSE 183cm
1700019146	Power Cord CCC 3P 10A 250V 183cm
1700026611-01	Debug cable
1750007965-01	Antenna Cable R/P SMA (M) to MHF4, 300mm
1750008717-01	WiFi Dual band 2.4G and 5G Antenna
EWM-W159M201E	IEEE 802.11a/b/g/n/ac 2T2R and BT 5.0 Module (M.2 2230)
968AD00479*	4G module LTE Cat 4 for China
1750006264	Antenna cable SMA(F)/MHF 15cm
1750008303-01	Antenna AN0727-64SP6B5M
SQF-MSDM1-8G-21C	SQF MICRO SD C10 MLC 8G (-25 ~ 85 °C)
IDK-1107WR-40WVA1E	7" LED PANEL 400N with 4WR touch, 800x480(G)
IDK-1121WR-30FHA1E	21.5", 1920x1080, 300nit, Part No. 97.21G01.001-S03
1700031071-01	LVDS cable for IDK-1107WR
1700031060-01	M cable D-SUB 9P(M)*2/2*6P, RS232/485x2
1700028482-01	F CABLE 2*6P, RS232 X2
1700031092-01	A cable 1*10P-1.0/D-SUB 9P(F), GPIO
1700031093-01	A cable 2*5P-2.0/JACK*2, line out & Mic
1700002172	A Cable 2*5P-2.0/USB-A 4P(F)*2, USBx2

\* Please contact us to get suitable cellular module for your region.

### 架构图



### I/O 视图

