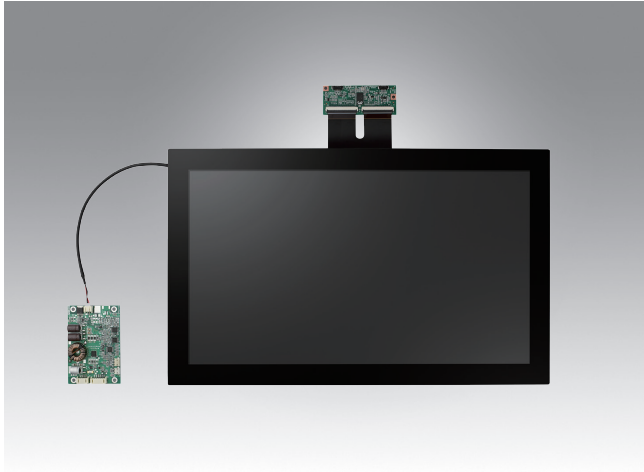


IDK-2115WP

15.6" Full HD 1,200 cd/m² Ultra High Brightness Industrial Display kit with PCT Touch Solution



Features

- 15.6" LCD supports 1920 x 1080 pixels
- Brightness of 1200 cd/m² with LED backlight
- Projected Capacitive touch solution
- Wide view angle
- LVDS signal interface
- Low power consumption
- Touch controller included (USB)
- Anti-Reflector/Anti-Glare surface treatment (Customized request)
- Optical bonding (Customized request)

Introduction

The Advantech IDK-2115WP series comes with a 15.6" industrial grade IPS LCD display with Projected Capacitive touch. IDK-2115WP supports 1200 cd/m² high brightness with low power consumption and wide operating temperature, which provides superior sunlight readability and is perfect for applications whether in semi-outdoor or outdoor environments.

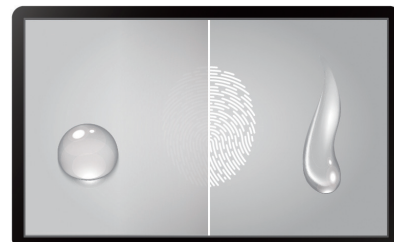
Specifications

Part No.		IDK-2115WN-K2FHA1	IDK-2115WP-K2FHA1
LCD Panel	Display Size	15.6", 16: 9	15.6", 16: 9
	Resolution	1920 x 1080	1920 x 1080
	Display mode	Normally Black	Normally Black
	Viewing Angle (U/D/L/R)	170° x 170° (Full view)	170° x 170° (Full view)
	Brightness	1200 cd/m ²	1200 cd/m ²
	Backlight Life (hrs)	50,000min	50,000min
	Contrast Ratio	800:1	800:1
	Response Time	25 ms	25 ms
	Colors	16.2M	16.2M
	LCD Input Voltage	3.3V	3.3V
	Signal Interface	2 channel LVDS	2 channel LVDS
	Weight	1100 g	1105 g
	Dimensions (W x H x D)	363.80 x 215.9 x 9.3 mm	363.80 x 215.9 x 9.3 mm
Touch Screen	Touch Type	NA	Projected Capacitive
	Transparency	NA	88 ± 3%
	Interface	NA	USB
	Surface Treatment	NA	Anti-Fingerprint
	Black Print	NA	Yes
Environment	Operating Temperature	-30 ~ 85 °C (Panel surface area should be 98 °C Max.)	-20 ~ 70 °C (Surface Temperature)
	Storage Temperature	-40 ~ 90 °C	-30 ~ 70 °C

Full view display



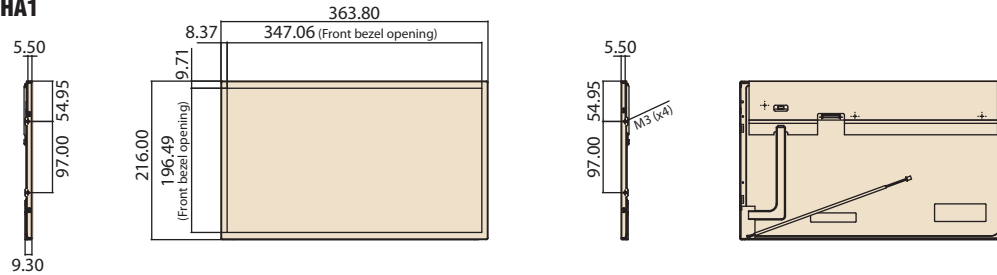
AF v.s Clear



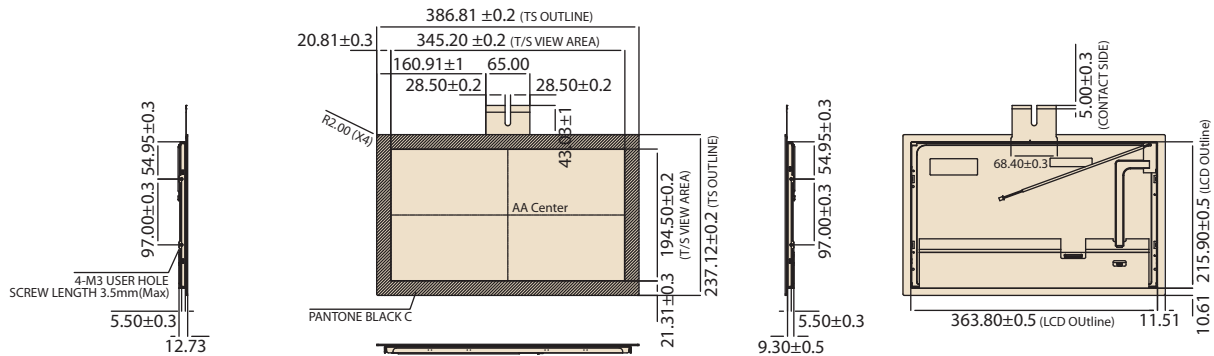
Dimensions

Unit: mm

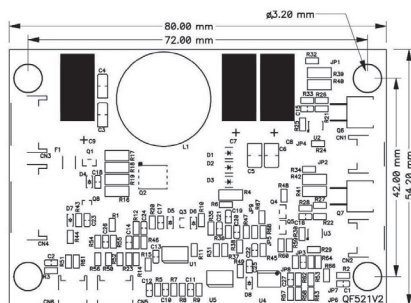
IDK-2115WN-K2FHA1



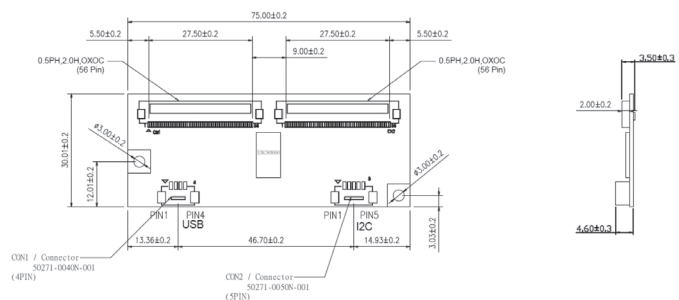
IDK-2115WP-K2FHA1



LED Driver Board



Touch Control Board



Ordering Information

Part No.	Size	LCD Brightness (cd/m ²)	Interface	Touch screen	Touch Interface
IDK-2115WN-K2FHA1	15.6"	1200	2 Channel LVDS	NA	NA
IDK-2115WP-K2FHA1	15.6"	1200	2 Channel LVDS	Projected Capacitive Touch	USB

Optional Order

SBC Part No.	LVDS cable P/N	Display interface	B/L cable P/N	Touch interface	Touch power input
MIO-5270	96CB-L4045PCF5	24bit LVDS	96CB-E0605HAB1	USB	5 V
AIMB-270	96CB-L4045PCF5	24bit LVDS	96CB-E0605HAB1	USB	5 V

Note: Package contents are subject to change without prior notice

Packing List

Part Number	Description
968DD00391	1 x LED driver board
1700032283-01	1 x Cable USB-A 4P(M)/1x4P-1.25 180cm
TCB156PG20ZEH6010	Touch control board