

RSB-3810

MediaTek Genio 1200 Cortex A78 & A55 2.5英寸单板电脑



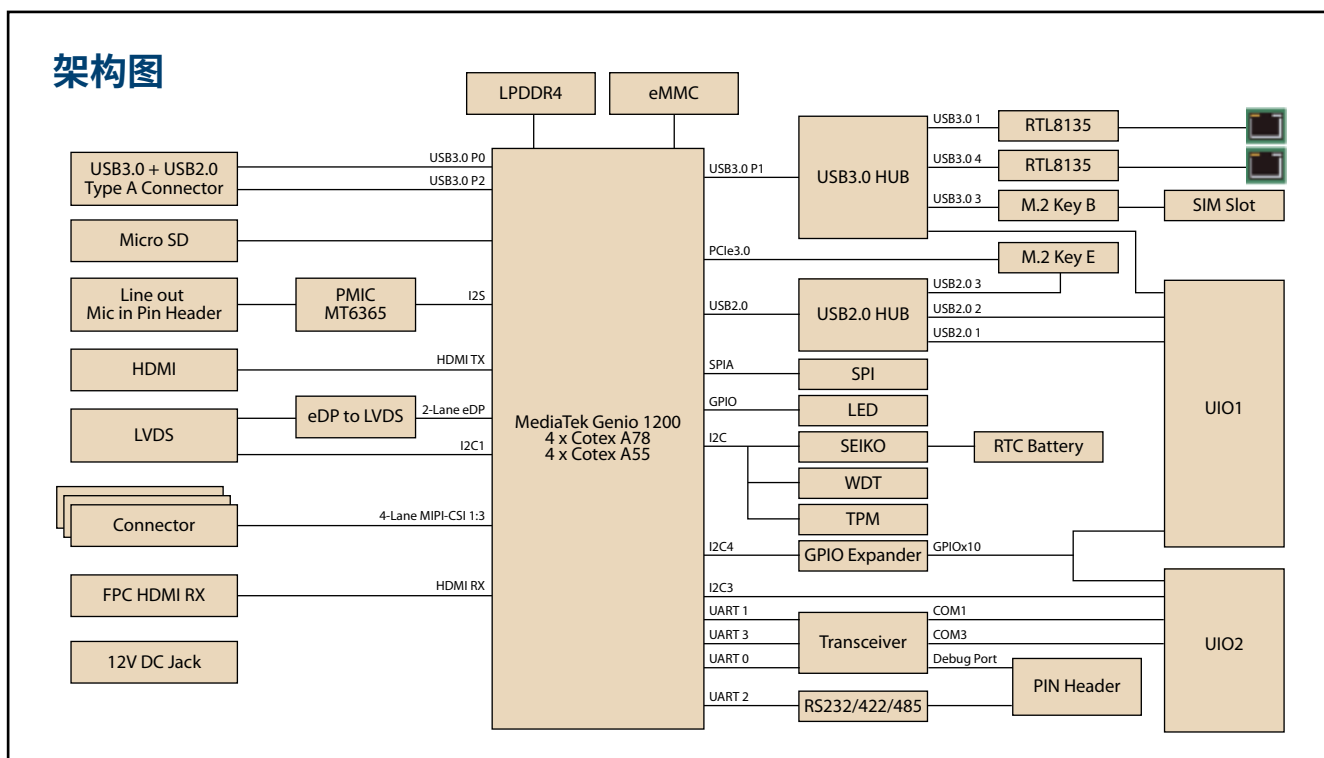
- MediaTek Genio 1200 4核A78 & 4核A55处理器
- 板载 LPDDR4 8GB, 4000MT/s内存
- 支持HDMI 4k60fps, 1双通道24 bit LVDS
- 支持1 4-wire RS-232/422/485, 2 USB3.2 Gen1 By 1, 2 USB2.0, 1 Micro SD,
- 1 Mic. in / Line out
- 支持1 M.2 3052 Key B用于 5G, 1 M.2 2230 Key E Slot 用于WiFi/BT
- 支持Ubuntu and Android系统
- 支持 UIO40-Express I/O 扩展版



规格

Form Factor	2.5" Single Board Computer with UIO40-Express for I/O Expansions	
Processor System	CPU	MediaTek Genio 1200
Memory	Technology	LPDDR4 4000MT/s
	Capacity	On-board 8GB
	Flash	32GB eMMC Flash for O.S. and 8 MB SPI NOR Flash for board information
NPU	4.8 TOPS Neural Network performance	
Graphics	HDMI	1 HDMI 2.0, 4K60
	LVDS	1 dual channel LVDS
Ethernet	Chipset	RTL8153
	Speed	2 10/100/1000 Mbps
WatchDog Timer	1~6553s, default 60s, power on/off 1s	
TPM	TPM 2.0 (ST33HTPH2E32AHB8)	
RTC	Yes	
I/O	USB	1 USB3.0 Host, 1 USB2.0 Host
	Audio	Mic-in, Line-Out Connectors
	Serial Port	1 4 wires RS-232/422/485 by pin header + COM debug console
	Camera Input	3 4-Lane MIPI-CSI2
	HDMI	1 FPC HDMI RX
	UIO40-Express	2 USB2.0, 1 USB3.0, 10 GPIO, 2 UART), 1 I2C
Expansion	M.2	1 M.2 2230 Key E Slot / 1 M.2 3052 Key B Slot
	SD Socket	1 Micro SD Socket
	SIM Slot	1 Nano SIM Slot
Power	Power Supply Voltage	12V DC-IN by lockable DC Jack (default) or 2pin type connector
	Power Consumption	10.68W
Environment	Operational Temperature	0 ~ 60 °C / -40 ~ 80 °C
	Operating Humidity	95% Relative Humidity, non-condensing
Mechanical	Dimensions (W x D x H)	100 x 72 x 19 mm
Operating System	Ubuntu and Android	
Certifications	CE/FCC Class B	

架构图



订货信息

Part No.	CPU	Memory	Flash Memory	HDMI	LVDS	LAN	USB Host	SD	Operating Temperature	Operating System
RSB-3810CO-FCA1E	MediaTek Genio 1200	8 GB	32 GB	1	1	2	2	1	0 – 60 °C	Android
RSB-3810WO-FCA1E	MediaTek Genio 1200	8 GB	32 GB	1	1	2	2	1	-40 – 80 °C	Android
RSB-3810CO-FUA1E	MediaTek Genio 1200	8 GB	32 GB	1	1	2	2	1	0 – 60 °C	Ubuntu

装箱单

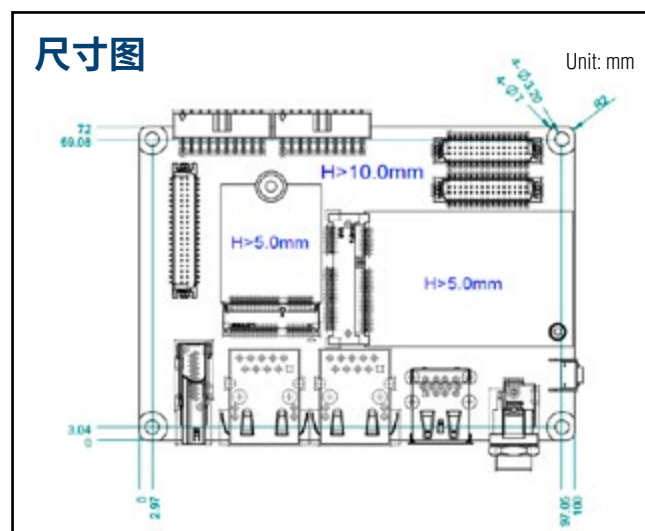
Part Number	Description
RSB-3810	RSB-3810 2.5" SBC with Heat Sink

可选配件

Part Number	Description
96PSA-A36W12W7-5	ADP A/D 100-240V 36W 12V C6 LOCK DC JACK 62368
1700001524	Power Cord 3P UL 10A 125V 180cm
170203183C	Power Cord 3P Europe (WS-010+WS-083) 183cm
170203180A	Power Cord 3P UK 2.5A/3A 250V 1.83M
1700008921	Power Cord 3P PSE 183cm
1700009652	Power Cord CCC 3P 10A 250V 187cm
1700030307-01	UIO40 extending cable of RSB-3430, 3COM&8GPIO
1700031429-01	Line out cable
1700026878-01	Mic. in cable
1700034345-01	Debug Cable 10P-2.0/D-SUB 9P(M) 25CM
1700019474	RS-232 Cable DB9 female to DB9 female
96LEDK-A215FH25NF3	21.5" LED Panel, 250N, 1920 x 1080
1700034353-01	LVDS Cable
TBD	LVDS BKLT Cable
EWM-W174M201E	IEEE802.11ax+BT 5.2 2T2R MT7921L M.2 2230
1750008717-01	Dipole Ant. D.B 2.4/5G WIFI 3dBi SMA/M-R BLK
1750007965-01	Antenna Cable R/P SMA (M) to MHF4, 300mm
TBD	AIW-3 series LTE CAT4 mini PCIe module for US
1750008303-01	Antenna AN0727-64SP6BSM
1750006009	Antenna Cable SMA (F) to MHF 1.32 25cm

* Please contact us to get suitable cellular module for your region.

尺寸图



RSB-3810 前部I/O