

EPC-R7200

NVIDIA Jetson Nano/TX2 NX/Xavier NX Arm-Based边缘智能准系统



- 可兼容NVIDIA Jetson模块的准系统
- 工业级和可扩展设计
- HDMI支持3840 x 2160分辨率, 60Hz
- 双GbE以太网, 2个USB3.2 Gen 1
- 1个Micro SD插槽和1个Nano SIM卡插槽
- 1 M.2 3042 B Key, 1 M.2 2230 E Key
- 符合DeviceOn边缘AI SRP要求
- 4种面向垂直应用的I/O接口: IEM、自服务、自动化和网络链接



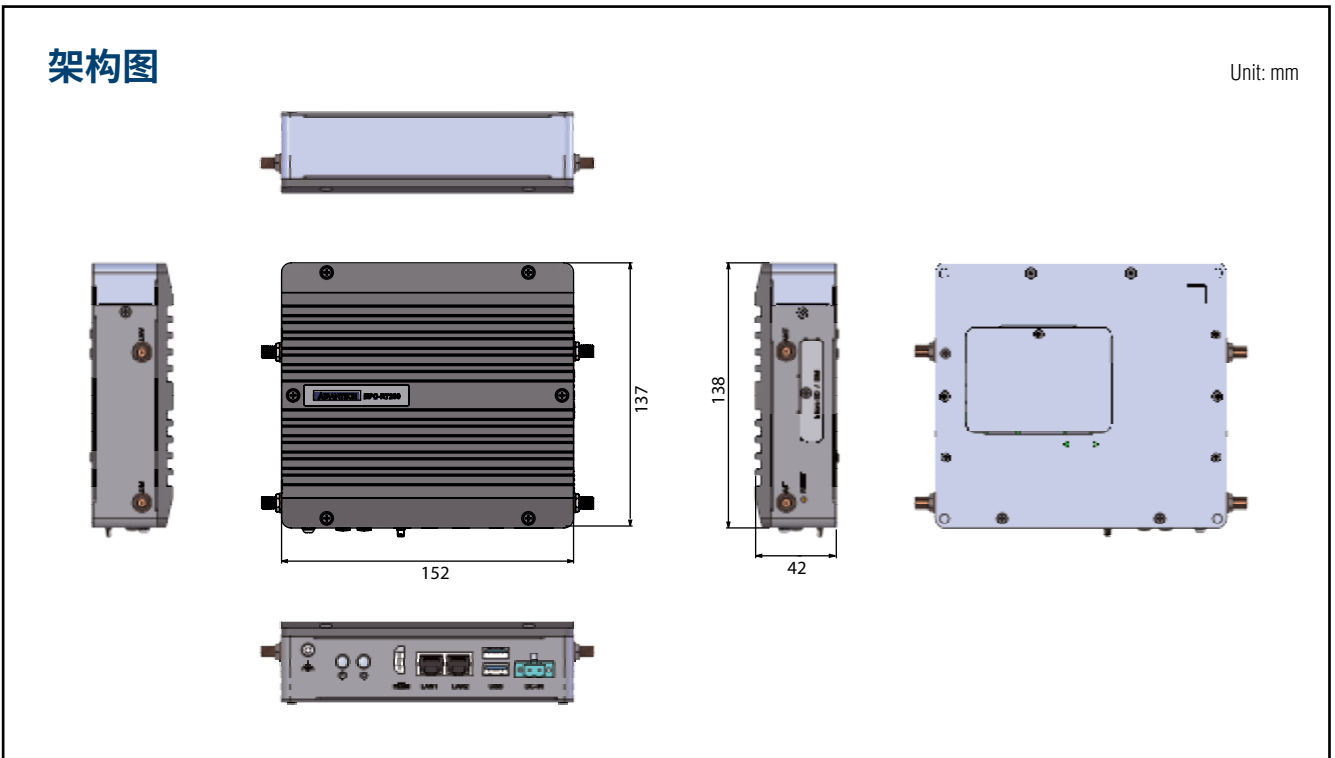
规格

Model		EPC-R7200IJ-ALA100	EPC-R7200IJ-ALA120	EPC-R7200IJ-ALA140	EPC-R7200IJ-ALA160
Compatible Modules	NVIDIA Jetson Series	Nano / TX2 NX / Xavier NX			
Graphics	HDMI	1 x HDMI 2.0, Maximum Resolution 3840 x 2160 at 60Hz			
	Graphics Engine	NVIDIA Maxwell GPU / Pascal GPU / Volta GPU on Jeston Modules			
	H/W Video Codec	Up to 4K encode/decode			
Ethernet	Chipset	NVIDIA Jetson integrated RGMII and Intel 1GbE Controller			
	Speed	2 10/100/1000 Mbps			
Indicator	LED	1 x Power LED; 1 x programmable LED			
Front I/O	USB	2 x USB3.2 Gen 1 Type A			
	GbE	2 x RJ45 for GbE			
Rear I/O		1 x RS-485, 1 x 2 wires RS-232 4 x DIs, 4 x D0s	2 x 2 wires RS-232 1 x GbE, 2 x USB 2.0	2 x 2 wires RS-232 1 x CAN Bus 2.0B	4 X GbE (Hub)
Expansion	M.2	1 M.2 2230 Key E Slot (USB2.0/PCIe/UART/I2S) 1 M.2 3042 Key B Slot (USB3.0/I2C)			
	SD Socket	1 Micro SD Socket			
	SIM	1 Nano SIM Slot			
	Antenna Holes	4			
Power	Power Supply Voltage	9-24V			
	Power Type	2-pole lockable DC-in			
	Power Consumption	5 ~ 15 W (Depends on Module Selection)			
Environment	Operating Temperature	-20~60 / -20~70*			
	Operating Humidity	5% ~ 95% relative humidity, non-condensing			
Mechanical	Dimensions	152 x 138 x 42 mm			
	Mounting	Wall mount, DIN Rail mount			
	Weight	925g			
Operating System	Linux	Ubuntu			
Certifications		CE/FCC Class B			

* -20 ~ 70 supports by specific Power Mode of Jetson Modules

架构图

Unit: mm



订货信息

Part Number	HDMI	LAN	USB	DI/DO	Serial Port	CANbus	Micro SD	Nano SIM	I/O Exp.	Operating Temperature
EPC-R7200IJ-ALA1NN	1	2	2	-	-	-	1	1	-	-20 ~ 60 °C
EPC-R7200IJ-ALA100	1	2	2	4/4	1 RS-232, 1 RS-485	-	1	1	UIO-4030	-20 ~ 60 °C
EPC-R7200IJ-ALA120	1	3	4	-	2 RS-232	-	1	1	UIO-4032	-20 ~ 60 °C
EPC-R7200IJ-ALA140	1	2	2	-	2 RS-232	1	1	1	UIO-4034	-20 ~ 60 °C
EPC-R7200IJ-ALA160	1	6 (2 as independent, and 4 by hub)	2	-	-	-	1	1	UIO-4036	-20 ~ 60 °C

装箱单

Part Number	Description
1970005170T011	Heat Spreader for Jetson Xavier NX Modules
1970005170T021	Heat Spreader for Jetson TX2 NX Modules
1970005170T001	Heat Spreader for Jetson Nano Modules

可选配件

Part Number	Description
968AD00549	NVIDIA Jetson Nano Module
968DD00139	NVIDIA Jetson TX2 NX Module
968DD00029	NVIDIA Jetson Xavier NX Module
968MOUJTSN	Ubuntu OS License for Jetson
96PSA-A60W24T2-3	ADP A/D 100-240V 60W 24V C14 CORD END 2PIN 62368
1702002600	Power Cord UL 3P 10A 125V 183cm
1702002605	Power Cord 3P EU 10A 250V 183cm
1702031801	Power Cord 3P UK 10A 250V 183cm
1700000237-01	Power Cord PSE 3P 12A 125V 183cm
1700009652	Power Cord CCC 3P 10A 250V 187cm
EWM-W159M201E	802.11 ac/a/b/g/n + Bluetooth 5.0 M.2 2230 (A-E Key) Card
1750008717-01	WiFi Coaxial Cable, SMA (M) to MHF4, 300 mm
1750007965-01	WiFi Dual band 2.4G and 5G Antenna
1935030500	Screw for WiFi/Cellular Module R/S M3x5L D=5.5 H=2 (2+) ST BZn
968AD00426	SIERRA EM7565 Global band Cat-12 M.2 module
1750008303-01	Cellular Antenna AN0727-64SP6BSM
1750008644-01	Cellular Cable Ant. SMA/F-BH MHF4/113 BLK L150mm IPX5

前视图

