

AMO-3507

Expansion Module for ARK-3530F PCIe x16 slot support add-on Graphic card up to 120W



Features

- PCIe x16 slot support add-on Graphic card up to 120W
- Smart Fan function for adjusting the fan speed automatically by CPU and system temperature

Specifications

Expansions	Add-on Card Slot	1 slot PCIe x16 Support add-on card power consumption up to 120W for PCIe*16 slot Maximum card size 110mm (H) x 180mm (L)
	Power Input Voltage	12V input
Power Requirements	Power Adapter	AC to DC, 150W with LOCKABLE DC JACK *Support add-on card power consumption up to 120W for PCIe*16 slot *If add-on card power consumption over 30W , an external adapter (must need be 12V with LOCKABLE DC JACK , and more than 120W)
	Construction	Aluminum housing
Mechanical	Dimensions (W x H x D)	105 x 205 x 230 mm
	Weight	6.41Kg (With ARK-3530F)
Environment	Operating temperature	0 - 40 °C
	Storage Temperature	-40 - 85 °C
	Relative Humidity	95% @ 40 °C (non-condensing)
Fan speed	Revolution(s) Per Minute	20000RPM

Ordering Information

Part Number	Description
AMO-3507	ARK-3530 Slots Riser module (1 PCIe x16)

Packing List

Part Number	Description
1750007554-01	Fan Axial 40x40x28mm 0.85A 12V4B-250L-20000RPM
1700031865-01	A cable 2*4P-4.2/JACK+2*4P-4.2 20cm

Optional Item for Default SKU

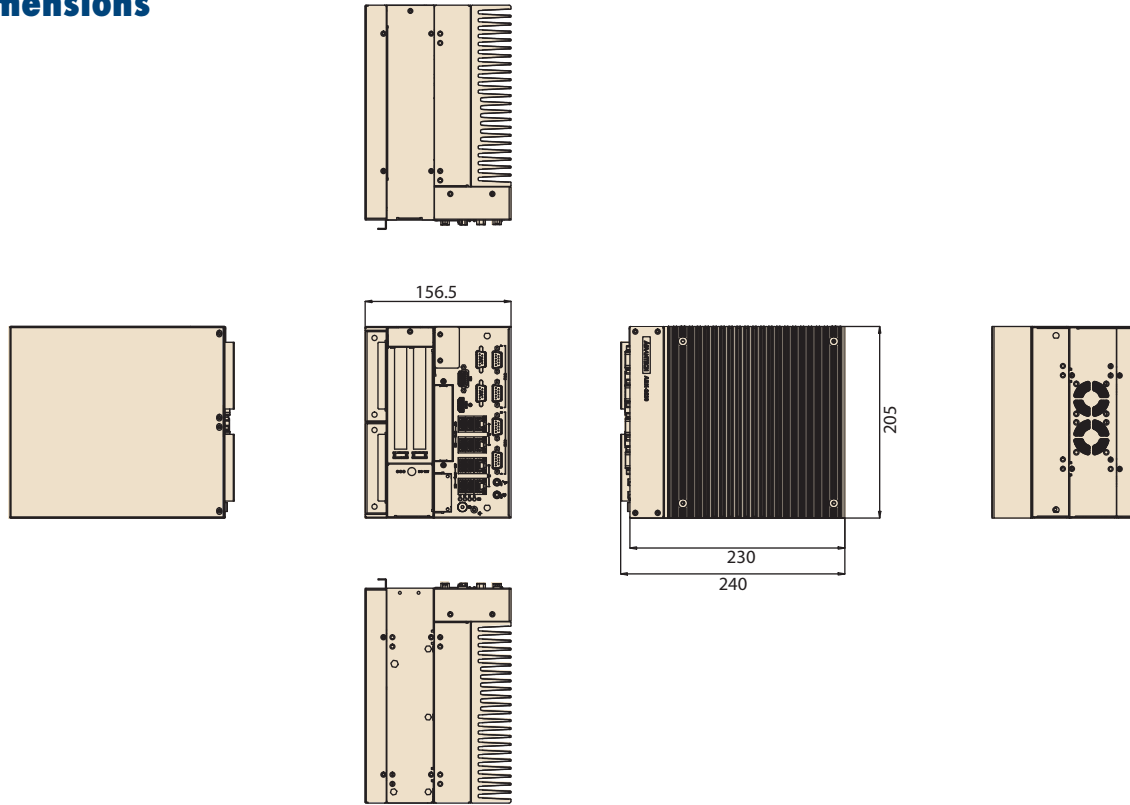
Part Number	Description
XARK-DPS-150AB-15	ADP A/D 100-240V 150W 12V C14 LOCKABLE DC JACK

*Support add-on card power consumption up to 120W for PCIe*16 slot

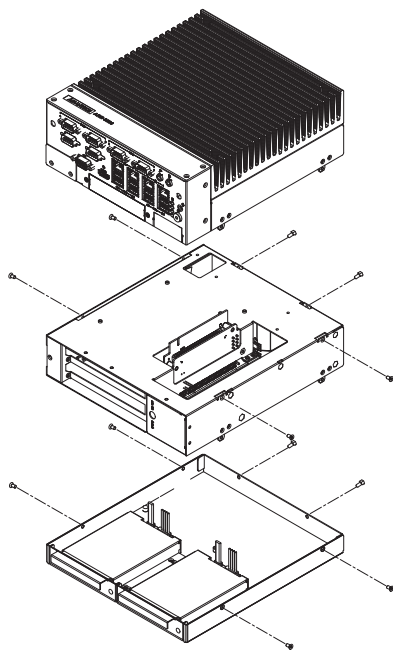
*If add-on card power consumption over 30W , an external adapter (must need be 12V with LOCKABLE DC JACK , and more than 120W)

Dimensions

Unit: mm

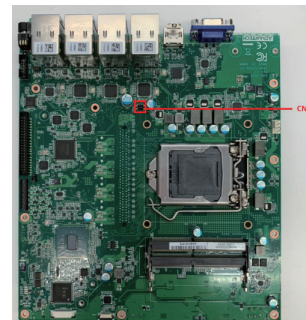


Assembly with ARK-3530 SOP

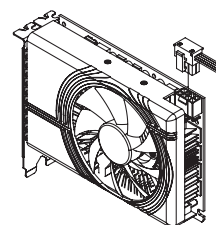


Assembly Notice

1. Remove the jumper which located on ARK-3530 Mainboard CN4



2. Power cable assembly SOP



3. Update the BIOS Part Number:1420051035 BIOS ARK-3530 CF60E113 CS:643A W25Q128JVS1Q