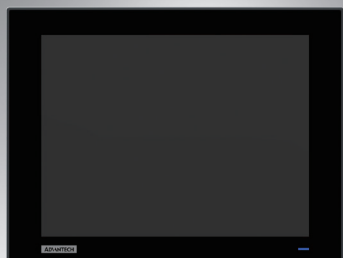


TPC-312-PJ20CN TPC-315-PJ20CN

Elkhart Lake Thin-Client Terminal with Intel® Celeron® J6412 Processor

Preliminary



Features

- Elkhart Lake Thin-Client Terminal with Intel® Celeron® J6412 Processor
- Intel® Elkhart Lake (EHL) Celeron® J6412 Quad-core
- Compact, fanless embedded system with aluminum alloy front bezel
- Wide operating temperature range -10 ~ 60 °C (14 ~ 140 °F)
- True-flat ultra slim bezel design with IP66 water proof of front panel
- Support high speed M.2 2280 NVMe
- Touchscreen with P-CAP multi-touch control
- Chassis grounding protection
- Supports Advantech's WISE-PaaS/RMM remote management software

Introduction

The TPC-3xx-PJ20CN thin-client terminal is equipped with low-power Intel® Celeron® J6412 quad-core processor with DDR4 SO-DIMM to deliver ultra slim bezel design, fanless system. To enhance the system's durability, TPC-3xx-PJ20CN features a true-flat touchscreen with IP66-rated front panel, die-cast aluminum alloy front bezel, and P-CAP multi-touch. In addition to supporting a wide operating temperature range(-10 ~ 60°C), TPC-3xx-PJ20CN includes a M.2 2280 NVMe slot for high speed automation application needs.

Specifications

General

- **BIOS** AMI UEFI
- **Certification** CCC
- **Cooling System** Fanless design
- **Dimensions (W x H x D)** 12.1": 311.8 x 238 x 67 mm (12.28 x 9.37 x 2.64 in)
15": 383.2 x 307.3 x 66.5 mm (15.09 x 12.10 x 2.62 in)
- **Enclosure** Front bezel: Die cast aluminum alloy
Back housing: SECC
- **Mounting** VESA Mount (75 x 75), Panel, Wall
- **OS Support** Windows 10 Enterprise LTSB
- **Security** TPM 2.0 (built-in)
- **Power Consumption** 19.2 W (typical)
- **Power Input** 24V_{DC} ± 20%
- **Watchdog Timer** 1 ~ 255 sec (system)
- **Weight (Net)** 12.1": 4.2kg (9.26lbs)
15": 5.15kg (11.35lbs)

System Hardware

- **CPU** Intel® Elkhart Lake
Celeron® J6412, 2.00 GHz, quad core
- **Memory** 1 x DDR4 SO-DIMM (Up to 16G)
- **LAN** 2 x 10/100/1000BASE-T
- **Expansion Slots** 1 x M.2 E Key 2230 (USB/PCIe)
- **Storage Slots** 1 x M.2 M Key 2242/2280 (SATA/PCIe)
- **I/O** 1 x Power receptor
1 x RS-232
1 x RS-232/422/485
2 x USB3.0
2 x USB2.0
1 x Line Out

LCD Display

	TPC-312	TPC-315
Display Type	XGA TFT LED LCD	XGA TFT LED LCD
Display Size	12.1" (4:3)	15" (4:3)
Max. Resoluition	1024 x 768	1024x768
Max Colour	16.2M	16.2M
Luminance cd/m²	300	300
Viewing Angle (H/V°)	178°/178°	176°/176°
Backlight Life	50,000 hrs	70,000hrs
Contrast Ratio	1000:1	2000:1

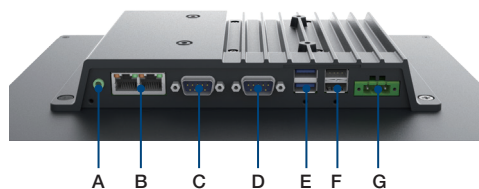
Touchscreen

- **Light Transmission** 90% ± 3%
- **Type** P-CAP multi-touch

Environment

- **Relative Humidity** Operating, 95% RH @ 40°C, non-condensing
Non-operating, 95% RH @ 60°C, non-condensing
- **Ingress Protection** Front panel: IP66
- **Operating Temperature** -10 ~ 60 °C (14 ~ 140 °F)
- **Storage Temperature** -30 ~ 70 °C (-22 ~ 158 °F)
- **Vibration Protection** 1 Grms (5 ~ 500 Hz) (Operating, random vibration)

Rear View

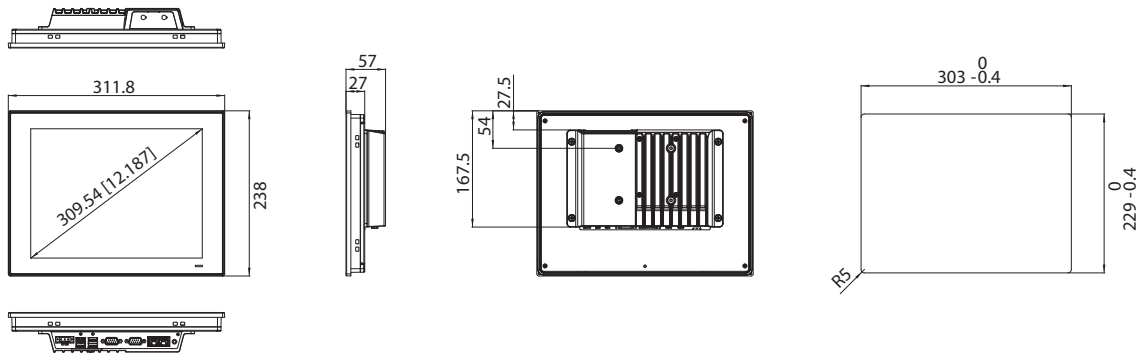


- A. Line Out
- B. LAN (10/100/1000)
- C. RS232/422/485
- D. RS232
- E. USB2.0
- F. USB3.0
- G. Power receptor

Dimensions

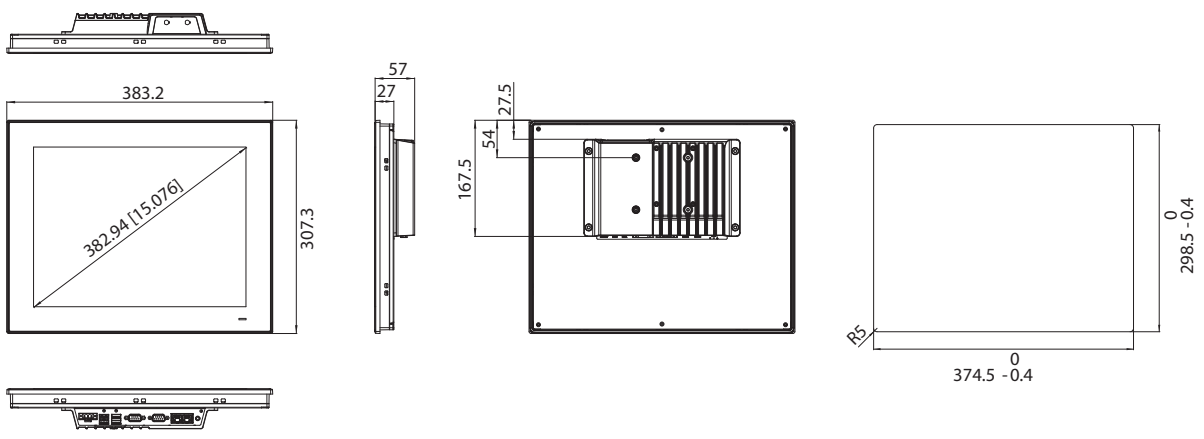
Unit: mm [inch]

TPC-312-PJ20CN



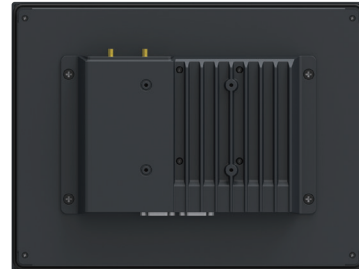
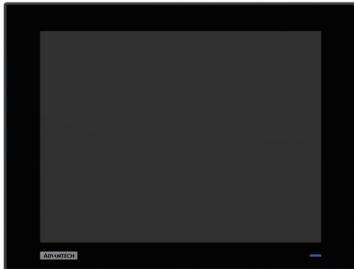
Cut Out Dimension: 303 x 229 mm

TPC-315-PJ20CN



Cut Out Dimension: 374.5 x 298.5 mm

TPC-3xx-PJ20CN Photo



Ordering Information

- **TPC-312-PJ20CN** 12.1" Touch Panel PC, Celeron J6412
- **TPC-315-PJ20CN** 15" Touch Panel PC, Celeron J6412

Optional Accessories

- **PWR-247-DE** 60W 24 V_{DC}/2.5A power supply
- **1702002600** Power Cable US Plug 1.8 M
- **1702002605** Power Cable EU Plug 1.8 M
- **1702031801** Power Cable UK Plug 1.8 M
- **1700000596-11** Power Cable China/Australia Plug 1.8 M
- **TPC-WLAN-A1** M.2 AE, Wifi6 + BT5.3, 2T2R,w/Antenna, -40~85°C

Embedded OS

- **20701WX1ES0005** WIN10 LTSC V6.09 B008 for TPC-307W/TPC-310W Entry

Application Software

<p>WebAccess/SCADA</p>	<p>Advantech WebAccess/SCADA is a 100% browser-based IIoT software platform aimed at supervisory control and data acquisition (SCADA) operations. WebAccess/SCADA provides open interfaces that allow our customers and partners to develop unique IoT applications for different vertical markets. In addition to supporting traditional SCADA functions, the platform features an HTML5-based user interface and intelligent dashboard to facilitate cross-platform, cross-browser data analysis. Moreover, WebAccess/SCADA not only offers built-in widgets, but is also equipped with an innovative Widget Builder that enables customers to build their own widgets.</p>
<p>WebAccess/HMI</p>	<p>Advantech WebAccess/HMI is human-machine interface (HMI) software based on Microsoft's Windows operating system. This software features excellent communication and monitoring capabilities, supports more than 350 PLC communication protocols, and offers a wide choice of screen design objects to satisfy diverse integrations of factory automation and HMI operation and monitoring requirements.</p>

Please note: If some optional modules are offered with the system, additional system certificates may be required in certain regions/countries. Please contact Advantech for certificate compliance.