

IPC-242

紧凑型IPC支持 Intel® Core™ i 12th/13th/14th 代处理器 & Intel® Core™ 处理器 Series 2 (LGA 1700) with Built-in ATX PSU

NEW



特性

- 支持 Intel® Core™ i 12th/13th/14th 代处理器 & Intel® Core™ 处理器 Series 2 (LGA 1700) with Intel® Q670E/H610E 芯片组
- 紧凑尺寸适合空间有限部署
- 3 独立显示 (第三个显示需要外接线缆)
- 4 扩展槽 (PCIe/ PCI)
- 丰富 I/O: 2 x GbE, 6 x USB3.2, 1x NVMe M.2, 2 x SATAIII, 2 x RS-232/422/485 串口, 1 x 内置 USB 2.0
- 1 x 可拆卸 HDD/SSD 托架
- 250W Flex ATX 电源
- 支持电源输出 5V/12V (max. 2A)
- 尺寸: 333(W) x 269.2(D) x 88(H) mm



规格

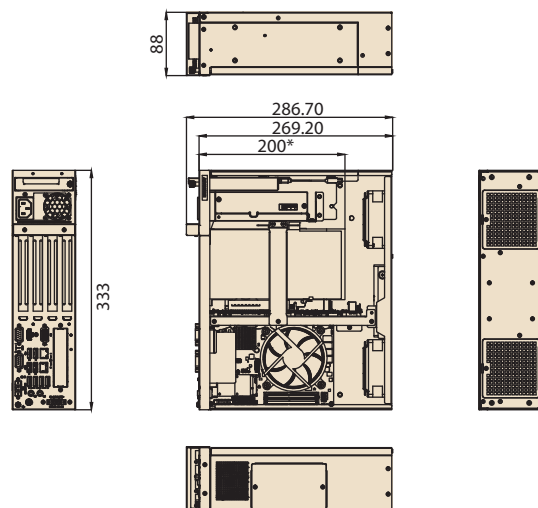
Intel® Core™ 处理器 Series 2 (Bartlett Lake-S)	CPU	251E	251TE	221E	221TE	211E	211TE	211EF	201E	201TE	300	300T									
	P-core 基频	2.1 GHz	1.4 GHz	2.7 GHz	1.8 GHz	2.7 GHz	1.7 GHz	2.7 GHz	3.6 GHz	2.9 GHz	3.9 GHz	3.4 GHz									
	L3 缓存	36 MB	36 MB	24 MB	24 MB	20 MB	20 MB	20 MB	12 MB	12 MB	6 MB	6 MB									
	核心	24	24	14	14	10	10	10	4	4	2	2									
	处理器基准功耗	65W	45W	65W	45W	65W	45W	65W	60W	45W	46W	35W									
14代 处理器	CPU	i9-14900	i9-14900T	i7-14700	i7-14700T	i5-14500	i5-14500T	i5-14400	i5-14400T	i5-14400F	i3-14100	i3-14100T	i9-14901E	i9-14901TE	i7-14701E	i7-14701TE	i5-14501E	i5-14501TE	i5-14401E	i5-14401TE	
	P-core 基频	2.0 GHz	1.1 GHz	2.1 GHz	1.3 GHz	2.6 GHz	1.7 GHz	2.5 GHz	1.5 GHz	2.5 GHz	3.5 GHz	2.7 GHz	2.8 GHz	2.3 GHz	2.6 GHz	2.1 GHz	3.3 GHz	2.2 GHz	2.5 GHz	2 GHz	2 GHz
	L3 缓存	36 MB	36 MB	33 MB	33 MB	24 MB	24 MB	20 MB	20 MB	20 MB	12 MB	12 MB	36 MB	36 MB	33 MB	33 MB	24 MB	24 MB	24 MB	24 MB	24 MB
	核心	24	24	20	20	14	14	10	10	10	4	4	8	8	8	8	6	6	6	6	6
	处理器基准功耗	65 W	35 W	65 W	35 W	65 W	35 W	65 W	35 W	65 W	60 W	35 W	65 W	45 W	65 W	45 W	65 W	45 W	65 W	65 W	45 W
13代 处理器	CPU	i9-13900(E)	i9-13900TE	i7-13700(E)	i7-13700(E)	i5-13500(E)	i5-13500(E)	i5-13400(E)	i3-13100(E)	i3-13100(E)											
	P-core 基频	2.0 GHz	1.1 GHz	2.1 GHz	2.1 GHz	2.5 GHz	1.6 GHz	2.5 GHz	3.4 GHz	2.5 GHz											
	L3 缓存	36 MB	36 MB	30 MB	30 MB	24 MB	24 MB	20 MB	12 MB	12 MB											
	核心	24	24	16	16	14	14	10	4	4											
	处理器基准功耗	65 W	35 W	65 W	35 W	65 W	35 W	65 W	60 W	35 W											
12代 处理器	CPU	i9-12900(E)	i9-12900TE	i7-12700(E)	i7-12700TE	i5-12500(E)	i5-12400	i5-12500TE	i3-12100(E)	i3-12100TE	Pentium G7400E	Pentium G7400TE	Celeron G6900E	Celeron G6900TE							
	P-core 基频	2.4 GHz	1.1 GHz	2.1 GHz	1.4 GHz	3.0 GHz	2.5 GHz	1.9 GHz	3.3 GHz	2.1 GHz	3.6 GHz	3.0 GHz	3.0 GHz	2.4 GHz							
	L3 缓存	30 MB	30 MB	25 MB	25 MB	18 MB	18 MB	18 MB	12 MB	12 MB	6 MB	6 MB	4 MB	4 MB							
	核心	16	16	12	12	6	6	6	4	4	2	2	2	2							
	处理器基准功耗	65 W	35 W	65 W	35 W	65 W	65 W	35 W	60 W	35 W	46 W	35 W	46 W	35 W							
处理器系统	插槽	LGA 1700																			
	芯片组	Q670E / H610E																			
	BIOS	AMI 256Mbit SPI Flash																			
内存	技术	双通道 DDR5 4800 MHz																			
	插槽	2 x 262 pin DDR5 SODIMM (Up to 32GB per socket)																			
	最大容量	64GB																			
显示	芯片组	PCE-2133: Q670E PCE-2033: H610E																			
	VGA	Up to 1920 x 1080 @ 60Hz																			
	HDMI	Up to 3840 x 2160 @ 60Hz																			
以太网	DP	Up to 4096 x 2160 @ 60Hz via optional cable																			
	DVI	Up to 1920 x 1080 @ 60Hz via optional cable																			
	多显	3 x 独立显示 (通过可选线缆实现第三显示器输出)																			
	控制器	PCE-2133 LAN1: Intel® I219LM, LAN2: Intel® I226V PCE-2033 LAN1: Intel® I219V, LAN2: Intel® I226V																			
存储	接口	LAN1: 10/100/1000 Mbps; LAN2: 10/100/1000/2500 Mbps																			
	连接器	2 x RJ45																			
	NVMe M.2	1 (PCIe x4 M-key 2280 type, Q670E Only)																			
I/O	HDD/SSD	2 x 2.5" HDD/SSD (1 x 外部, 1 x 内部, 每个最大 15mm 高度)																			
	mSATA	1																			
	RAID	0/1 (Q670E Only)																			
	USB	Q670E: 8 x USB 3.2 Gen2 H610E: 4 x USB 3.2 Gen1 + 4 USB 2.0																			
扩展	串口	2 x RS-232/422/485 支持自动流控制																			
	音频	2 (Line-out, Mic-in)																			
	I/O 模组	支持研华 i-Door																			
附加卡模块				PCIex16		PCIex4		PCI													
		IPC-242-00A1		1		3		0													
		IPC-242-01A1		1		1		2													

规格 (Cont.)

LED与开关	按钮	电源	
	LED	HDD Disk	
电源	输出额定值	AC 250W, ATX	
	输入电压	100-240V~/3.5A, 47-63Hz	
	DC 输出电压	5V/12V (Max 2A Each)	
看门狗定时器	远程电源开关	2-Pin 远程电源开关控制	
	输出	系统重置	
环境	间隔	可编程 1 ~ 255 sec/min	
	运行	非运行	
	温度	0 - 45 °C	-40 - 85 °C
	湿度	95% @ 40 °C (非冷凝)	
	振动	With SSD: 1 Gms @ 5 - 500 Hz, random, 1 hr/axis With 2.5" HDD: 0.5Grms @ 5 - 500 Hz, random, 1 hr/axis	2G
机械特性	冲击	With SSD: 10G, IEC-68-2-27, half-sine wave, 11 ms 间隔	
	尺寸 (W x D x H)	333 x 269.2 x 88 mm (13.11" x 10.55" x 3.46")	
	重量	4.2kg	
认证	安装方式	桌上型/壁挂式	
	EMC	CE/FCC Class A, CCC	
	安全	UL, CCC	

尺寸

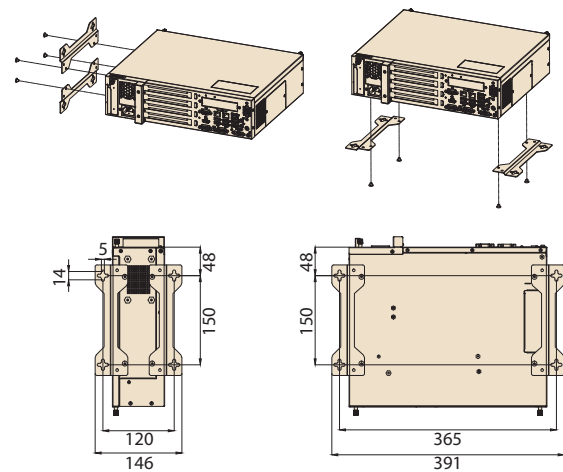
单位: mm



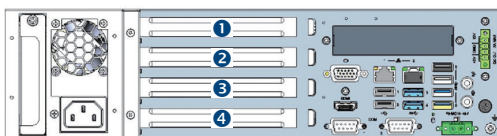
* 最大卡尺寸: 111(H) x 200(L) mm

安装

单位: mm



前视图



IPC-242-00A1
IPC-242-01A1

Expansion Slot Order	IPC-242-00A1	IPC-242-01A1
1	PCIex4	PCI
2	PCIex16	PCI
3	PCIex4	PCIex16
4	PCIex4	PCIex4

订购信息

料号	兼容主板	PCIe x16	PCIe x4	PCI	HDD/SSD	电源	内部USB (2.0 Type A)
IPC-242-00A1	PCE-2133-00A1	1	3	0	2 x 2.5" (1 x internal, 1 x swappable)	AC 100-240V, 250W	1
IPC-242-01A1	PCE-2133-00A1	1	1	2			1
IPC-242-01A1	PCE-2033-00A1	1	1	2			1

料号	芯片组	Intel CPU	USB 3.2	USB 2.0	GbE	NVMe M.2	miniPCIe	COM
PCE-2133-00A1	Q670E	12th/13th/14th Gen	8	0	2	1 (PCIe x4 M Key)	1 (mSATA, PCIe, USB)	2
PCE-2033-00A1	H610E	12th/13th/14th Gen	4	4	2	0	1 (mSATA Only)	2

IPC-242 包装清单

项目	描述
IPC-242	紧凑工业计算机机箱
2001024200	用户手册 for IPC-242
1652002205	Remote SW 2 pin Phoenix connector
1652005685	4-Pin Plug in 3.81mm DC output connector
1700018804	M CABLE SATA 7P/SATA 7P 90/90 25CM
1700007352	SATA POWER CABLE 15P/15CM
1960070543T007	MOUNTING BKT x2

PCE-2033/2133 包装清单

Item	描述
PCE-2033/2133	12/13/14th Gen Intel® Core™ i CPU (LGA 1700) CPU board 启动手册 for PCE-2033/2133

可选附件

料号	描述
1970005354T001	CPU Cooler LGA1700 S-65W 110x110x45.4
1702002600	Power cord (USA) UL/CSA, 3-pin, 10A, 125V, 1.83 M, 180 D
1700022940-01	Power cord PSE, 3-pin, 7A, 125V, 3 m, DAC-ST01
1702002605	Power cord (EU) 2-pin, 10/16A, 220V, 1.83 M, 90 D
1960097668N001	Vertical Rear Mounting BKT_UP
1960097669N001	Vertical Rear Mounting BKT_DOWN
98R12420000	HDMI port kit iDoor
98R12420010	DVI port kit iDoor
98R12420020	Display port kit iDoor

Embedded OS

PN	Description
20706WLH1S0050	img W11 2024HL LTSC PCE-2133 64b
20706WLV1S0050	img W11 2024VL LTSC PCE-2133 64b
20706WLE1S0050	img W11 2024EL LTSC PCE-2133 64b
20706WLH1S0049	img W11 2024HL LTSC PCE-2033 64b
20706WLV1S0049	img W11 2024VL LTSC PCE-2033 64b
20706WLE1S0049	img W11 2024EL LTSC PCE-2033 64b
20706WX1HS0053	img W10 21HL PCE-2133 64b 21H2 ENU
20706WX1VS0053	img W10 21VL PCE-2133 64b 21H2 ENU
20706WX1ES0053	img W10 21EL PCE-2133 64b 21H2 ENU
20706WX1HS0056	img W10 21HL PCE-2033 64b 21H2 ENU
20706WX1VS0056	img W10 21VL PCE-2033 64b 21H2 ENU
20706WX1ES0056	img W10 21EL PCE-2033 64b 21H2 ENU
20706U22DS0007	img UbuntuD PCE-2133 64b 22.04 ENU
20706U22DS0005	img UbuntuD PCE-2033 64b 22.04 ENU

iDoor 模组

P/N	描述	信号接口
MOS-1110Y-0101E	Isolated 16 DI / 8 DO, 1-Ch, DB37, PCIe I/F	PCIe
MOS-1120Y-0202E	Isolated RS-232, 2-Ports, DB9, PCIe I/F	PCIe
MOS-1120Y-1402E	Non-Isolated RS-232, 4-Ports, DB9, PCIe I/F	PCIe
MOS-1121Y-0202E	Isolated RS-422/485, 2-Ports, DB9, PCIe I/F	PCIe
MOS-1121Y-1402E	Non-Isolated RS-422/485, 4-Ports, DB9, PCIe I/F	PCIe
MOS-1130Y-0201E	Isolated CANBus, 2-Ch, DB9, PCIe I/F	PCIe
MOS-2110Z-1201E	USB Port iDoor Module	PCIe
MOS-2120-Z1101E	Giga LAN Ethernet iDoor Module	PCIe
MOS-2220-X1101E	Parallel Port iDoor Module	USB
MOS-2220-Z1101E	High Speed Serial COM iDoor Module	USB
MOS-2230-Z1201E	CANBus iDoor Module	USB
PCM-26D2CA-BE	SJA1000 CANBus, DB9 x 2	PCIe
PCM-26D2CA-CE	USB CANBus, DB9 x 2	USB
PCM-24D2R2-BE	2-Port Isolated RS-232 mPCIe, DB9 x 2	USB
PCM-24D2R4-BE	2-Port Isolated RS-422/485 mPCIe, DB9 x 2	USB
PCM-24D4R2-BE	4-Port Non-Isolated RS-232 mPCIe, DB37 x 1	USB
PCM-24D4R4-BE	4-Port Non-Isolated RS-422/485 mPCIe, DB37 x 1	USB
PCM-27D24DI-AE	24-Channels Isolated Digital I/O with counter mPCIe, DB37	PCIe
PCM-24S34G-CE	EG-25G LTE/HSPA+/GPRS, mPCIe, Ant	PCIe
PCM-24S2WF-CE	802.11 a/b/g/n/ac 2T2R w/BT4.1, Intel AC9260	WiFi: PCI-E BT: USB
PCM-24R2GL-AE	2 Port Giga LAN Intel i350 PCIe mini card	PCIe
PCM-24R1TP-BE	Intel i225, 2.5Gb/s, IEEE 1588, TSN, RJ45*1	PCIe
PCM-23U1DG-CE	USB Slot w/ Lock for USB Dongle	USB
PCM-2300MR-AE	MR4A16B, MRAM, 2 MByte, mPCIe	PCIe
PCM-2300MR-BE	MR4A16B MRAM, 4MByte, Lattice	PCIe
PCM-26R2PN	2Port, PROFIBET, Hilscher FieldBus mPCIe	PCIe
PCM-26R2EC-MAE	2Port, EtherCAT, Hilscher FieldBus mPCIe, Master	PCIe
PCM-26R2EC-SAE	2Port, EtherCAT, Hilscher FieldBus mPCIe, Slave	PCIe

Note: The PCM series module requires a bracket (P/N : 1960065854N001) that must be ordered separately.